

101ASPC STATIC PRESSURE SENSOR

SUBMITTAL



101ASPC *Static Pressure Sensor*

DESCRIPTION

The 101ASPC static pressure sensor is a single pole, double throw diaphragm type switch used to modulate a STMPD or STCD damper in bypass applications. The 101ASPC monitors differential pressure between the supply duct and the ambient pressure.

The contacts will switch state as the static pressure in the supply duct changes with varying zone damper positions. As the 101ASPC set point is obtained, the contacts will remain neutral within a +/- range of .04" w.c. , The damper will then remain in its last position. When the static pressure in the duct changes beyond the hysteresis, contact state will be made according to the change in duct pressure.

24vac is switched to the run open or run closed terminals of the bypass damper as determined by the 101ASPC.

When there is zero airflow, the bypass damper will remain in its last position until fan operation is initialized.

TECHNICAL DATA

Electrical:

Supply Voltage: N/A

Power consumption: N/A

Input:

- 24vac

Outputs:

- 24vac (Run open)
- 24vac (Run closed)

General:

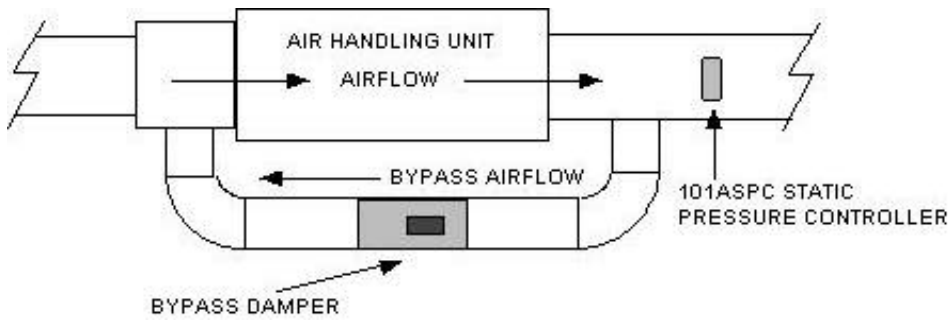
Range: 0 to 2.0" w.c.

Hysteresis: .04" w.c.

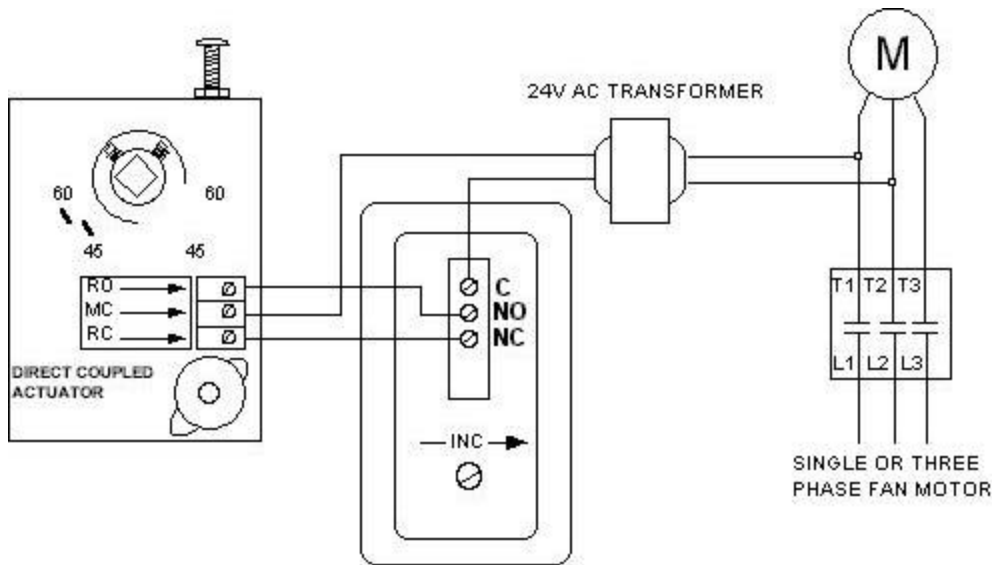
Dimensions: 5 3/4" H x 3 1/4" W x 3" D

101ASPC STATIC PRESSURE SENSOR

SENSOR LOCATION



TYPICAL SENSOR WIRING



DIMENSIONS

